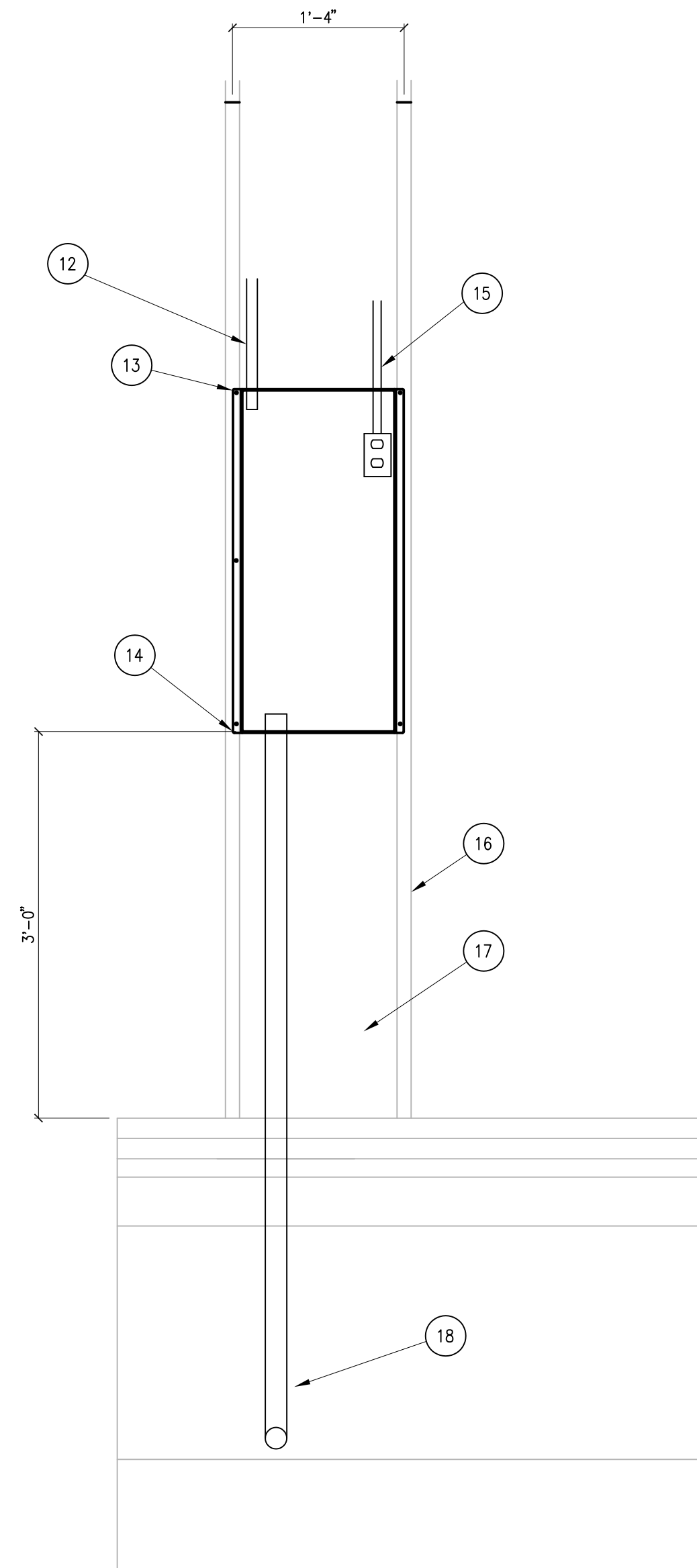
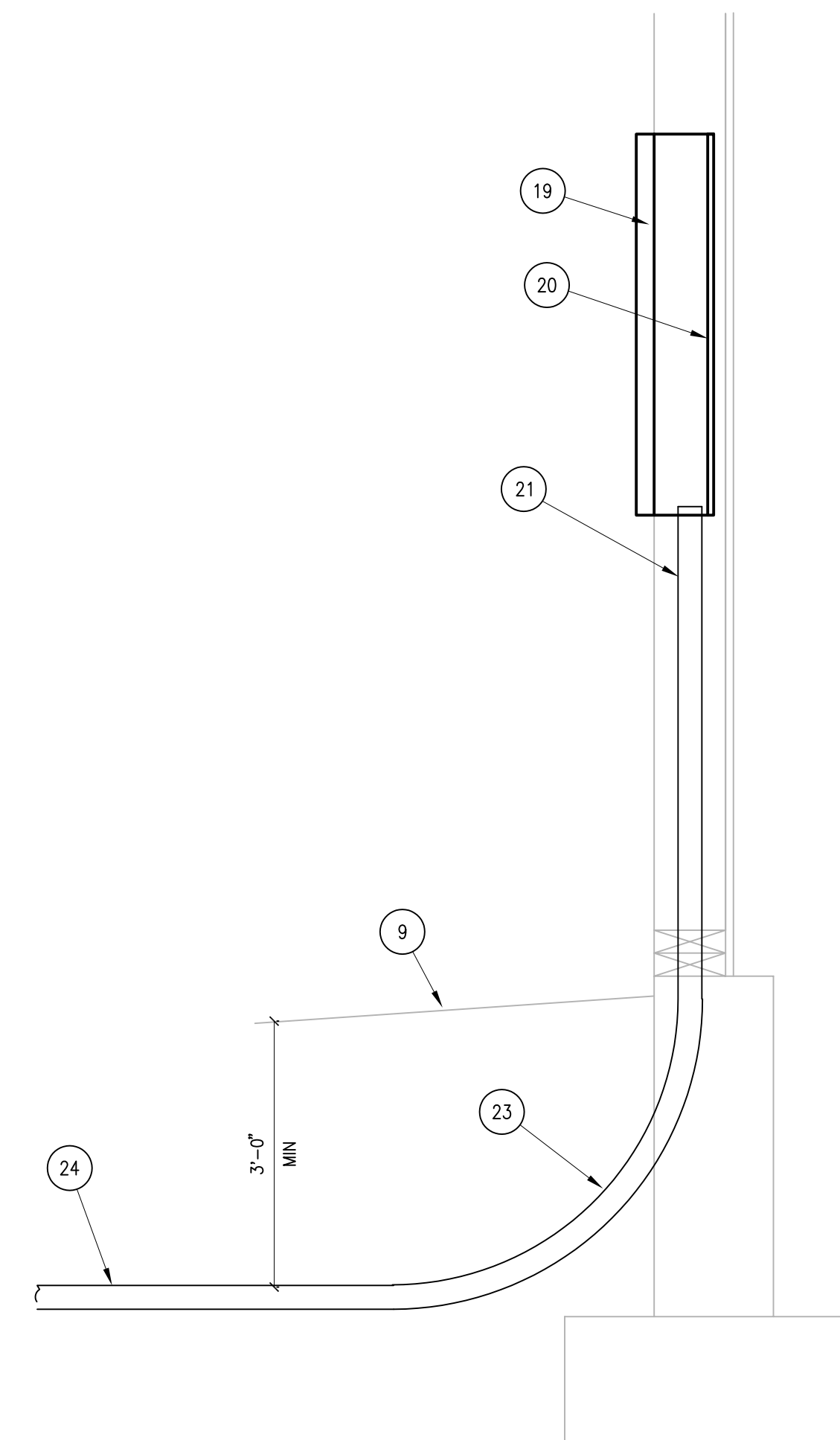


1 CABINET BUILDOUT
SCALE 1"=1'



2 ELEVATION DETAIL
SCALE 1"=1'



3 CONDUIT DETAIL
SCALE 1"=1'

Notes: Material list is not exhaustive		
MFG/SUPPLIER	PART NUMBER	DESCRIPTION
Benner-Nawman	BN14326WC-UL	NEMA, Type 3 enclosure and cover, semi-flush 20 gauge, zinc coated steel w/ 1/2" plywood backboard.
CARLON	HPCO300	35mm unmetrical DIN Rail
B-Line	EH45	PTC Heater, 45 Watts, 1.0A
B-Line	ESNT0-F	Thermostat, normally open
OSI	FiberPoint 522	Network Interface Device (Owner Provided)
Appleton	1250	Pull box with threaded hub and cover (if required for existing construction)
IPEX	127002	Qwikpath Resi, 1" corrugated flexible conduit

4 MATERIAL LIST
SCALE 1"=1'

GENERAL NOTES:

- A. COORDINATE WORK WITH SITE WORK, ELECTRICAL POWER, EXTERIOR FINISH AND LOW VOLTAGE WIRING.
- B. NO SUBSTITUTIONS OF MATERIALS ARE PERMITTED UNLESS APPROVED BY ENGINEER.
- C. SUPPORT ALL ELECTRICAL WIRING AND CORDAGE AT NO LESS THAN 6" INTERVALS WITH REUSABLE FASTENERS ATTACHED TO ENCLOSURE OR BACKBOARD.
- D. ENCLOSURE FINISH IS POWDER COAT DESERT TAN.
- E. PROVIDE WATERTIGHT SEAL IN JOINT BETWEEN SIDING AND ENCLOSURE.
- F. PROVIDE MATERIALS PER MATERIAL LIST PROVIDED IN DETAIL 4.
- G. REFER TO TVT CHECK LIST FOR ROUGH-IN, FINISH AND COMPONENT TESTING AND ACCEPTANCE REQUIREMENTS WHERE APPLICABLE.
- H. EXTEND 2" CONDUIT INTO OPEN ENCLOSURE BASE.
- I. TVT TO PROVIDE MATERIALS UNLESS OTHERWISE NOTED.

SHEET NOTES:

1. 20 GAUGE ZINC COATED STEEL NEMA 3 ENCLOSURE WITH 1/2" PLYWOOD BACKBOARD AND COVER. INSTALL OWNER PROVIDED SECURITY SCREWS IN PLACE OF MANUFACTURER PROVIDED SCREWS FOR COVER.
2. REMOVE AND SEAL 1/2" PLYWOOD BACKBOARD WITH 2 COATS OF WHITE PAINT. SEAL ALL SURFACES AND REATTACH TO ENCLOSURE FRAME.
3. PROVIDE 120VAC/15A, GFI RATED, DUPLEX RECEPTACLE ON DEDICATED CIRCUIT. LABEL BREAKER SCHEDULE "TVT DEMARC". PROVIDE WIRING FOR HEATER AND THERMOSTAT.
4. INSTALL PTC HEATER ON DIN RAIL SECTION. SEAL TOP ENTRANCE OF ENCLOSURE TO RETAIN HEAT AND PREVENT DEBRIS FROM CONTACTING HEATER ELEMENT.
5. INSTALL THERMOSTAT ON DIN RAIL SECTION.
6. OWNER (TVT) TO PROVIDE NETWORK INTERFACE DEVICE AND MAKE CONNECTIONS TO UPS AND SERVICE CABLES.
7. INSTALL TVT FURNISHED UPS AS SHOWN AND ENERGIZE FROM ELECTRICAL OUTLET. DRESS POWER CORDS NEATLY AND SUPPORT ON PLYWOOD BACKBOARD.
8. 2" PVC CONDUIT FOR TVT SERVICE CABLES. EXTEND CONDUIT INTO BOTTOM OPENING OF ENCLOSURE. PROVIDE BUSHING AND SUPPORT CONDUIT END ON PLYWOOD BACKBOARD.
9. FINAL GRADE.
10. ATTACH ENCLOSURE TO WALL STUDS WITH THREADED FASTENERS REFER TO DETAIL 2.
11. BOND ENCLOSURE TO SERVICE ENTRANCE WITH #6 GREEN INSULATED BONDING CONDUCTOR. LABEL CONDUCTOR "IC1" AT BOTH ENDS.
12. PROVIDE 1" RESIDENTIAL GRADE FLEXIBLE TUBING THROUGH TOP OPENING TO COMMUNICATIONS WIRING CENTER. PROVIDE SERVICE ENTRANCE CABLES IN CONDUIT FOR TERMINATION BY TVT.
13. FASTEN ENCLOSURE FLANGES TO WOODEN STUDS WITH PAN HEAD SCREWS. SHIM AS REQUIRED TO ACCOMMODATE EXTERIOR FINISH MATERIALS.
14. INSTALL BASE OF CABINET AT INDICATED HEIGHT +/- 6". MODIFY HEIGHT OF INSTALLATION TO COORDINATE WITH FINISH MATERIALS.
15. COORDINATE WITH ELECTRICAL SCOPE OF WORK. LABEL CIRCUIT NUMBER ON OUTLET FACEPLATE.
16. WOODEN 2X6 WALL STUD
17. 3/4" PLYWOOD BACKER BOARD.
18. 2" PVC CONDUIT TO SERVICE HAND HOLE AT PROPERTY LINE. COORDINATE INSTALLATION OF ENCLOSURE AND CONDUIT WITH ELECTRICAL SERVICE ENTRANCE.
19. ENCLOSURE MOUNTING FLANGE. SHIM AS REQUIRED TO DESIRED DEPTH.
20. USE FINISHED 1/2" PLYWOOD BACKBOARD TO SUPPORT ALL CABLES AND CONDUITS. PLYWOOD FORMS BACK OF ENCLOSURE WITH OPEN ACCESS AT TOP AND BOTTOM.
21. COORDINATE CONDUIT INSTALLATION WITH FOUNDATION CONSTRUCTION TO CONCEAL CONDUIT WITHIN WALL.
22. NO NOTE PROVIDED.
23. 2" PVC SWEEP
24. PROVIDE 2" PVC CONDUIT TO TVT HANDHOLE. LABEL CONDUIT WITH STREET ADDRESS, PROVIDE PULL STRING AND PLUG AT HANDHOLE.

STAMP

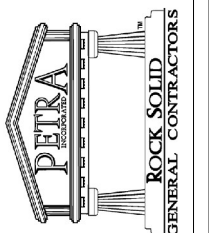
JOHN D. MAULIN, ARCHITECT
C.W. MOORE PLAZA
250 S. 5TH ST
BOISE, IDAHO 83702
PHONE: 208-343-4635 FAX: 208-343-1858

THESE DRAWINGS AND SPECIFICATIONS AS INSTRUMENTS OF SERVICE ARE THE PROPERTY OF JOHN D. MAULIN ARCHITECT. THE ARCHITECT ENGINEER WHETHER THE PROJECT FOR WHICH THESE DRAWINGS AND SPECIFICATIONS ARE PREPARED BY ANY PERSON OR ENTITY ON OTHER PROJECTS, FOR ANY REASON, AND THESE DRAWINGS AND SPECIFICATIONS SHALL NOT BE REPRODUCED OR TRANSMITTED IN ANY FORM OR BY ANY MEANS, ELECTRONIC OR MECHANICAL, INCLUDING PHOTOCOPYING, RECORDING, OR BY ANY INFORMATION STORAGE AND RETRIEVAL SYSTEM, WITHOUT THE WRITTEN CONSENT OF JOHN D. MAULIN ARCHITECT.

TAMARACK CHALETS
CANOE 2 CAR (LEFT)

DONNELLY, IDAHO.

CSHOA
Specializing in architecture, engineering and planning



C.W. MOORE PLAZA
250 S. 5TH ST. - BOISE, ID 83702
(208) 343-4635 - FAX (208) 343-1858
<http://www.cshqa.com>



PROJECT	DATE
04449	05-18-05
DRAWN	CHECKED
JDR	JDR

REVISED	DATE
10	07-24-06
REVISIONS	

SHEET TITLE

TVT SERVICE ENTRANCE

SHEET

T1.0

CONSTRUCTION SET